

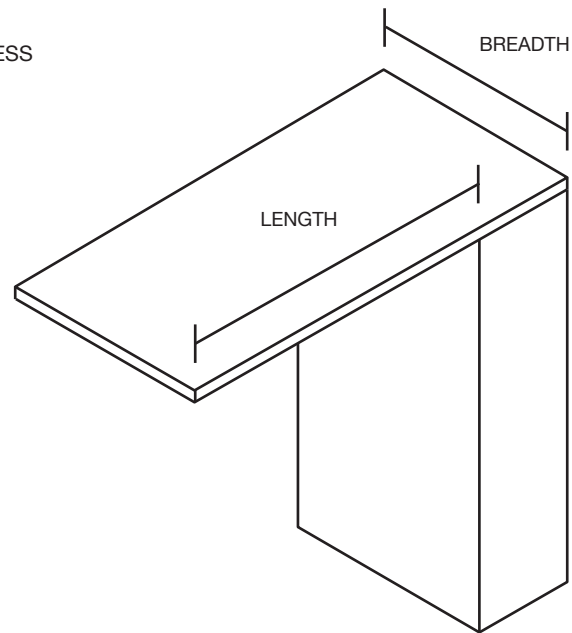
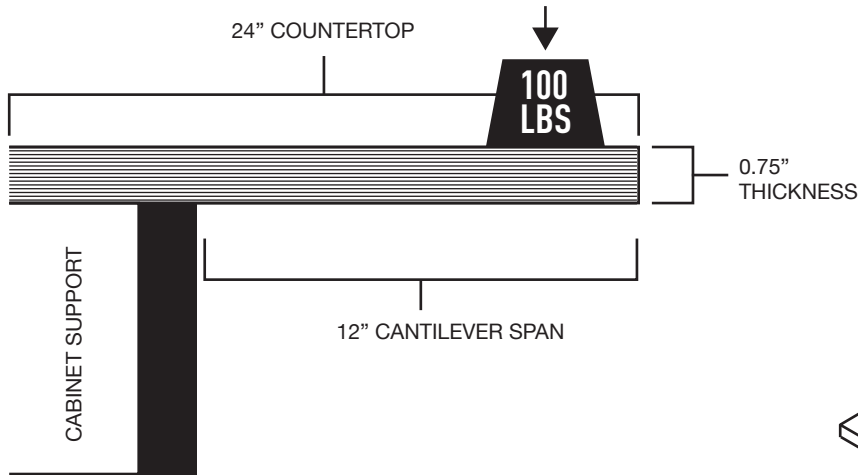
# General Guidelines for Cantilever & Spans

## CANTILEVER SPAN

length	thickness	force	breadth of countertop							
			12"	18"	25"	30"	36"	42"	48"	60"
			max deflection							
12"	.75"	100 lbs	.070"	.047"	.033"	.028"	.023"	.020"	.017"	.014"
18"	.75"	150 lbs	.356"	.244"	.171"	.142"	.118"	.101"	.089"	.071"
18"	1.0"	150 lbs	.150"	.100"	.072"	.060"	.050"	.043"	.037"	.030"
18"	1.25"	150 lbs	.076"	.050"	.037"	.030"	.025"	.022"	.019"	.015"
18"	1.5"	150 lbs	.044"	.029"	.021"	.018"	.015"	.013"	.011"	.009"
24"	1.0"	150 lbs	.356"	.244"	.171"	.142"	.118"	.101"	.089"	.071"
24"	1.25"	150 lbs	.181"	.120"	.087"	.072"	.060"	.051"	.045"	.036"
24"	1.5"	150 lbs	.105"	.070"	.050"	.042"	.035"	.030"	.026"	.021"

**IMPORTANT NOTE:**  
Calculating spans and cantilevers incorporates numerous variables, including thickness of material, the length of the overhang, the breadth (or width of the countertop), and the amount of weight it needs to support. It is important that the specifier approximately calculate the specifications based off Richlite properties defined in the properties section due to these variables and to abide by the varying code regulations enforced in different areas of the country.

Richlite at .75" thickness  
deflects only 0.047  
inches under 100 lbs.



CANTILEVER SPAN

# General Guidelines for Cantilever & Spans

## SIMPLE SPAN

length	thickness	force	breadth of countertop							
			12"	18"	25"	30"	36"	42"	48"	60"
			max deflection							
24"	.75"	100 lbs	.035"	.023"	.017"	.014"	.012"	.010"	.008"	.007"
36"	1.0"	150 lbs	.075"	.050"	.036"	.030"	.025"	.021"	.018"	.015"
36"	1.25"	150 lbs	.038"	.025"	.018"	.015"	.012"	.010"	.009"	.007"
48"	1.5"	200 lbs	.070"	.046"	.033"	.028"	.023"	.020"	.007"	.014"
48"	1.75"	200 lbs	.044"	.029"	.021"	.017"	.014"	.012"	.011"	.008"

**IMPORTANT NOTE:**  
Calculating spans and cantilevers incorporates numerous variables, including thickness of material, the length of the overhang, the breadth (or width of the countertop), and the amount of weight it needs to support. It is important that the specifier approximately calculate the specifications based off Richlite properties defined in the properties section due to these variables and to abide by the varying code regulations enforced in different areas of the country.

